

ARCHITECTURE NEWS

...Bringing Our Residential Projects to You



Volume 12, Issue 1
Autumn 2010



QUEEN OF STONE HARBOR

Builder: Brandywine Developers

Interior Design: Exquisite Design LLC

Completion 2010



MEDFORD LAKES ESTATE

Builder: Travarelli Builders

Completion 2009



OSK DESIGN PARTNERS, PA
Architects and Land Planners

Principals

- John J. Olivieri (1956-1999)
- Daniel A. Shousky, AIA, PP, NCARB
- Paul A. Kiss, AIA, PP, NCARB

Main Office

475 White Horse Pike
Collingswood, New Jersey 08107
(856) 854-0580
(856) 854-0993 Fax
www.olivieriarchitects.com

DELAWARE SAND CASTLE

Builder: Coffin Contractors
Completion 2009



BEAUTY ON THE BAY IN STONE HARBOR

Builder: Craig Otton
Interior Design: The Summer House Design Group, Inc.
Completion 2009



VIEW CATCHER IN AVALON

Builder: Peace Valley Construction
Completion 2010

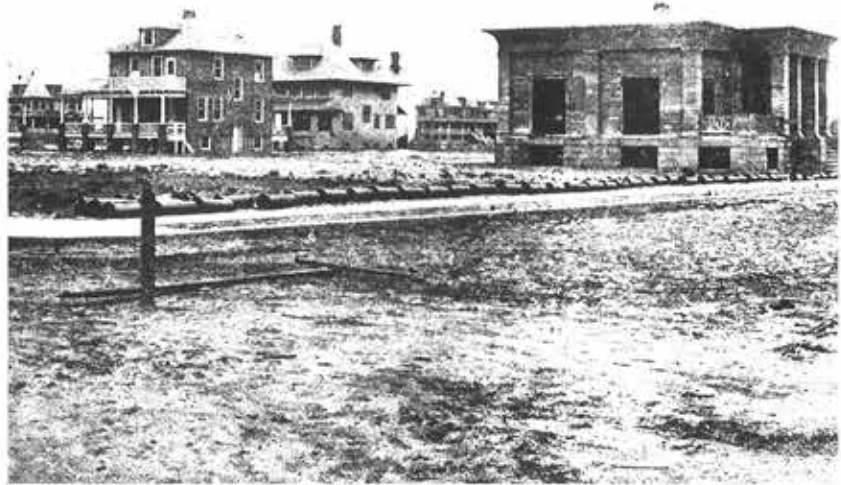


HISTORIC CONCRETE HOUSE

*Renovation / Restoration
Completion 2010*



An historical photograph, view of Eighty-fifth Street, Stone Harbor, N.J., from the Pennsylvania Railroad Station plaza, taken sometime after 1909.



TRANQUILITY ON THE LAKE IN NEW HOPE, PA

*Builder: G.A.C. Builders
Completion 2010*



**ON THE INLET
IN BRIGANTINE**

*Builder: Alison Paul Builders
Completion 2010*





**LONGPORT
BEACHFRONT
RENOVATION**
*Builder: Frank Granieri
Completion 2010*

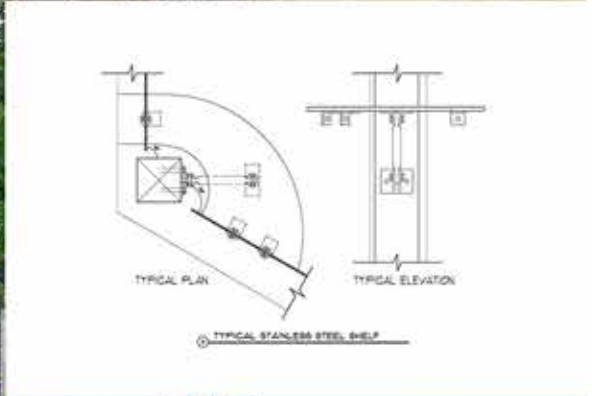


STONE HARBOR MAKEOVER
*Builder: Craig Otton
Interior Design: Michael Murphy
Completion 2010*



**NATURAL RESOURCE
CONSERVATORY PARK**

Moorestown, New Jersey
Completion 2010





BEACH VIEWS IN AVALON

*Builder: Bill Hand
Completion 2010*



FAMILY HOME IN MARGATE

*Builder: Bill Schnatz
Completion 2010*



RESORT LIVING IN DEWEY BEACH, DELAWARE

*Builder: Echelon Homes
Completion 2010*



ESTATE ON CAPE MAY HARBOR

*Builder: WKR Construction
Completion 2010*



LUXURY LIVING IN LINWOOD

*Builder: Linwood Builders
Completion 2010*



VACTION HOME IN THE HIGH DUNES, AVALON, NJ

Builder: D.L. Miner Company

Interior Design: Exquisite Design LLC

Completion 2009



COMING UP IN FUTURE NEWSLETTERS...

ARCHITECTURE NEWS,
Volume 12, Issue 1
Copyright ©2010
Olivieri, Shousky, & Kiss, P.A.
All Rights Reserved

CONTRIBUTORS:
Daniel A. Shousky, AIA Principal
Paul A. Kiss, AIA Principal
Gerald Blackman, Associate
Steve Bologno, Associate
James Bryant Snyder, Project Coordinator
Kate Davis-Horan, Project Coordinator
Matthew Hamilton, Project Coordinator
Brad Wampler, Project Coordinator
Allison Rufe, Drafter
Brian Johnson, Drafter
Roseanne Stoelker, Secretary
Jim Shevlin, Comptroller

